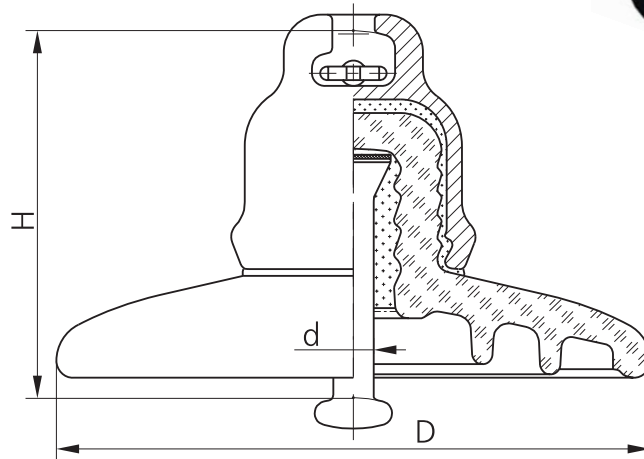


HV glass suspension insulator U40B

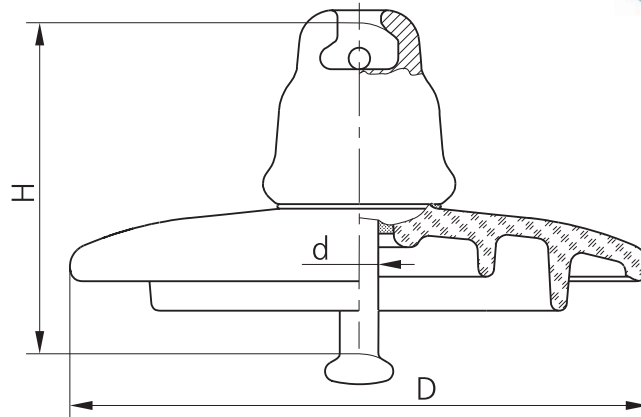
Ball and socket type
Standard profile



The manufacturer	JSC "YuAIZ"			LIC Ltd.
	IEC 305		U40B	U40B
Designation	GOST 27661	PS40A	PS40A	PS40
Mechanical failing load	kN	40	40	40
Mechanical residual strength	kN	32	32	32
Diameter of the insulating part, D	mm	175	175	175
Spacing, H	mm	100	110	110
Nominal creepage distance	mm	190	190	185
Ball and socket coupling, d	mm	11	11	11
Puncture voltage in insulating medium	kV	100	100	100
50 Hz withstand voltage (dry)	kV	55	55	55
50 Hz withstand voltage (wet)	kV	33	33	30
Dry lightning impulse withstand voltage 1.2/50 +/- one unit	kV	70/70	70/70	70/70
Radio interference voltage at 0.5 MHz	dB	86	86	86
	kV	25	25	25
Weight	kg	1.7	1.7	1.7

HV glass suspension insulators U70BS, U70BL

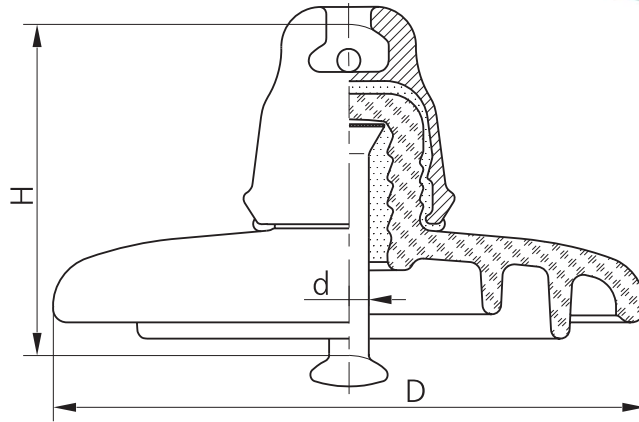
Ball and socket type
Standard profile



The manufacturer	JSC "YuAIZ"			LIC Ltd.	
Designation	IEC 305	U70BS	U70BL	U70BS	U70BL
	GOST 27661	PS70E	PS70E	PS70E	PS70E
Mechanical failing load	kN	70	70	70	70
Mechanical residual strength	kN	56	56	56	56
Diameter of the insulating part, D	mm	255	255	255	255
Spacing, H	mm	127	146	127	146
Nominal creepage distance	mm	320	320	320	320
Ball and socket coupling, d	mm	16	16	16	16
Puncture voltage in insulating medium	kV	130	130	130	130
50 Hz withstand voltage (dry)	kV	70	70	70	70
50 Hz withstand voltage (wet)	kV	40	40	40	40
Dry lightning impulse withstand voltage 1.2/50 +/- one unit	kV	100/100	100/100	100/100	100/100
Radio interference voltage at 0.5 MHz	dB	60	60	60	60
	kV	20	20	20	20
	dB	86	86	86	86
	kV	25	25	25	25
Weight	kg	3.6	3.6	3.6	3.6

HV glass suspension insulator U120B

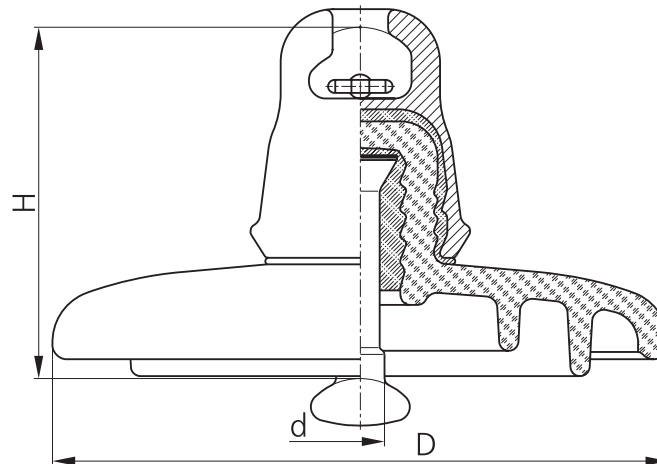
Ball and socket type
Standard profile



The manufacturer	JSC "YuAIZ"			LIC Ltd.
Designation	IEC 305		U120B	U120B
	GOST 27661	PS120B	PS120B	PS120B
Mechanical failing load	kN	120	120	120
Mechanical residual strength	kN	96	96	96
Diameter of the insulating part, D	mm	255	255	255
Spacing, H	mm	127	146	127/146/170
Nominal creepage distance	mm	320	320	320
Ball and socket coupling, d	mm	16	16	16
Puncture voltage in insulating medium	kV	130	130	130
50 Hz withstand voltage (dry)	kV	70	70	75
50 Hz withstand voltage (wet)	kV	40	40	40
Dry lightning impulse withstand voltage 1.2/50 +/- one unit	kV	100/100	100/100	100/100
Radio interference voltage at 0.5 MHz	dB	60	60	60
	kV	20	20	20
	dB	86	86	86
	kV	30	30	30
Weight	kg	3.9	3.9	3.9

HV glass suspension insulator U125B

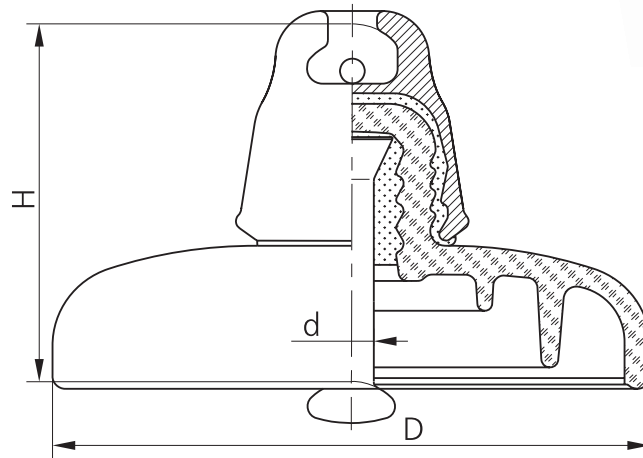
Ball and socket type
Standard profile



The manufacturer	JSC "YuAIZ"	
Designation	IEC 305	U125B
Mechanical failing load	kN	125
Mechanical residual strength	kN	100
Diameter of the insulating part, D	mm	255
Spacing, H	mm	146
Nominal creepage distance	mm	320
Ball and socket coupling, d	mm	20
Puncture voltage in insulating medium	kV	130
50 Hz withstand voltage (dry)	kV	70
50 Hz withstand voltage (wet)	kV	40
Dry lightning impulse withstand voltage 1.2/50 +/- one unit	kV	100/100
Radio interference voltage at 0.5 MHz	dB	86
	kV	30
Weight	kg	4.1

HV glass suspension insulators U160BS, U160BL

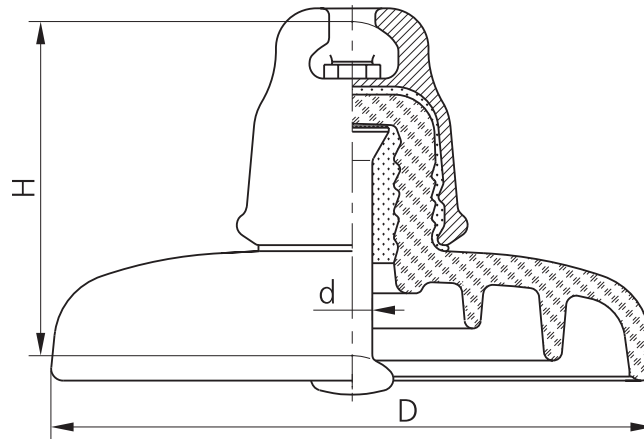
Ball and socket type
Standard profile



The manufacturer	JSC "YuAIZ"			LIC Ltd.	
	IEC 305 GOST 27661	U160BS PS160D	U160BL PS160D	U160BS PS160D	U160BL PS160D
Mechanical failing load	kN	160	160	160	160
Mechanical residual strength	kN	128	128	128	128
Diameter of the insulating part, D	mm	280	280	280	280
Spacing, H	mm	146	170	146	170
Nominal creepage distance	mm	385	385	370	370
Ball and socket coupling, d	mm	20	20	20	20
Puncture voltage in insulating medium	kV	130	130	130	130
50 Hz withstand voltage (dry)	kV	72	72	75	75
50 Hz withstand voltage (wet)	kV	45	45	45	45
Dry lightning impulse withstand voltage 1.2/50 +/- one unit	kV	110/110	110/110	110/110	110/110
Radio interference voltage at 0.5 MHz	dB	60	60	60	60
	kV	20	20	20	20
	dB	86	86	86	86
	kV	35	35	35	35
Weight	kg	6.13	6.13	6.2	6.2

HV glass suspension insulator U210B

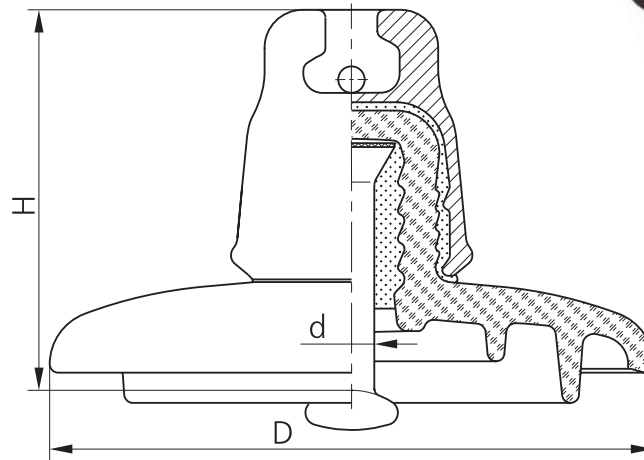
Ball and socket type
Standard profile



The manufacturer	JSC "YuAIZ"			LIC Ltd.
	IEC 305	U210B		U210B
Designation	GOST 27661	PS210V	PS210V	PS210V
Mechanical failing load	kN	210	210	210
Mechanical residual strength	kN	168	168	168
Diameter of the insulating part, D	mm	290	290	300
Spacing, H	mm	170	195	170
Nominal creepage distance	mm	380	380	370
Ball and socket coupling, d	mm	20	20	20
Puncture voltage in insulating medium	kV	130	130	130
50 Hz withstand voltage (dry)	kV	72	72	72
50 Hz withstand voltage (wet)	kV	45	45	45
Dry lightning impulse withstand voltage 1.2/50 +/- one unit	kV	110/110	110/110	110/110
Radio interference voltage at 0.5 MHz	dB	60	60	60
	kV	20	20	20
	dB	86	86	86
	kV	40	40	40
Weight	kg	7.2	7.2	7.1

HV glass suspension insulator U300B

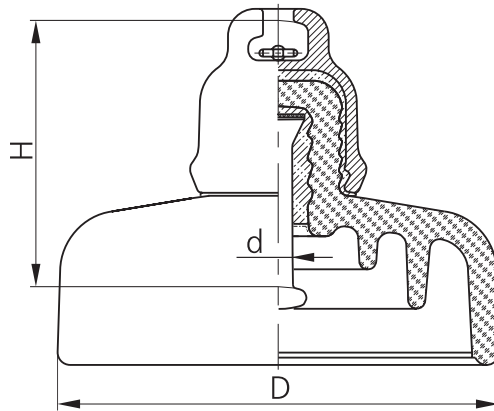
Ball and socket type
Standard profile



The manufacturer	JSC "YuAIZ"			LIC Ltd.
	IEC 305	U300B	U300B	U300B
Designation	GOST 27661	PS300V	PS300G	PS300V
Mechanical failing load	kN	300	300	300
Mechanical residual strength	kN	240	240	240
Diameter of the insulating part, D	mm	320	320	320
Spacing, H	mm	195	195	195
Nominal creepage distance	mm	390	485	385
Ball and socket coupling, d	mm	24	24	24
Puncture voltage in insulating medium	kV	130	130	130
50 Hz withstand voltage (dry)	kV	82	82	82
50 Hz withstand voltage (wet)	kV	50	50	50
Dry lightning impulse withstand voltage 1.2/50 +/- one unit	kV	130/130	130/130	130/130
Radio interference voltage at 0.5 MHz	dB	60	34	60
	kV	20	10	20
	dB	86	86	86
	kV	40	40	40
Weight	kg	10.0	11.5	10.0

HV glass suspension insulator U40BP

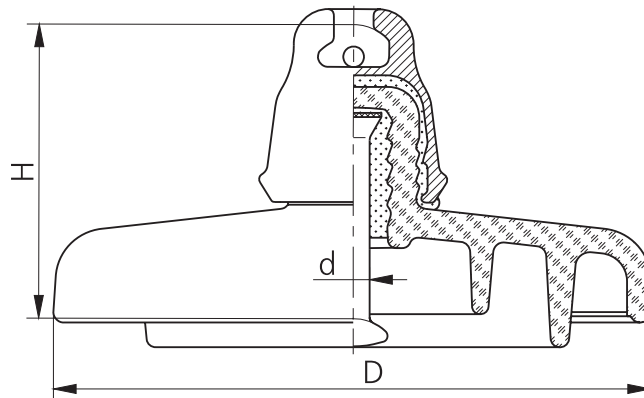
Ball and socket type
Fog type profile



The manufacturer	JSC "YuAIZ"	
Designation	IEC 305	U40BP
Mechanical failing load	kN	40
Mechanical residual strength	kN	32
Diameter of the insulating part, D	mm	175
Spacing, H	mm	110
Nominal creepage distance	mm	300
Ball and socket coupling, d	mm	11
Puncture voltage in insulating medium	kV	100
50 Hz withstand voltage (dry)	kV	60
50 Hz withstand voltage (wet)	kV	34
Dry lightning impulse withstand voltage 1.2/50 +/- one unit	kV	85/85
Radio interference voltage at 0.5 MHz	dB	60
	kV	20
	dB	86
	kV	25
Weight	kg	2.5

HV glass suspension insulator U70BLP

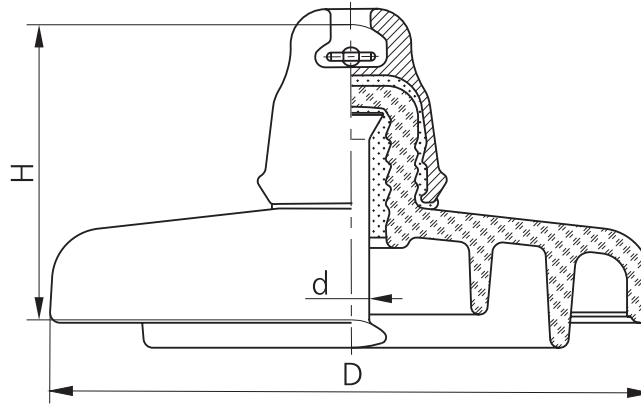
Ball and socket type
Fog type profile



The manufacturer	JSC "YuAIZ"	
Designation	IEC 305	U70BLP
	GOST 27661	PSV70A
Mechanical failing load	kN	70
Mechanical residual strength	kN	56
Diameter of the insulating part, D	mm	280
Spacing, H	mm	146
Nominal creepage distance	mm	445
Ball and socket coupling, d	mm	16
Puncture voltage in insulating medium	kV	130
50 Hz withstand voltage (dry)	kV	82
50 Hz withstand voltage (wet)	kV	50
Dry lightning impulse withstand voltage 1.2/50 +/- one unit	kV	125/125
Radio interference voltage at 0.5 MHz	dB	60
	kV	20
	dB	86
	kV	30
Weight	kg	5.66

HV glass suspension insulator U120BP

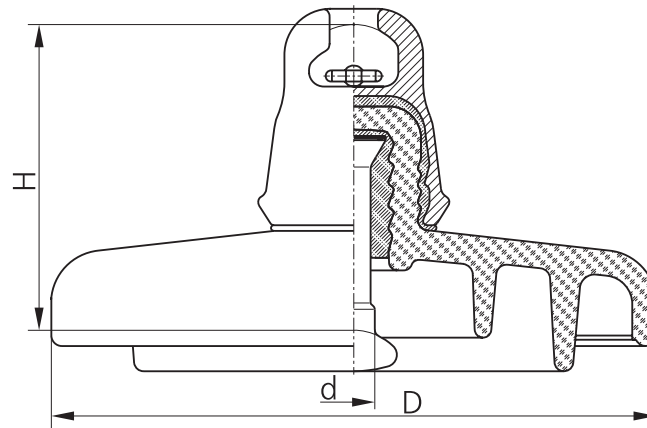
Ball and socket type
Fog type profile



The manufacturer	JSC "YuAIZ"			LIC Ltd.	
	IEC 305		U120BP		U120BP
Designation	GOST 27661	PSV120B	PSV120B	PSV120B	PSV120B
	Mechanical failing load	kN	120	120	120
Mechanical residual strength	kN	96	96	96	96
Diameter of the insulating part, D	mm	280	280	290	290
Spacing, H	mm	127	146	146	146
Nominal creepage distance	mm	445	445	442	442
Ball and socket coupling, d	mm	16	16	16	16
Puncture voltage in insulating medium	kV	130	130	130	130
50 Hz withstand voltage (dry)	kV	82	82	82	82
50 Hz withstand voltage (wet)	kV	50	50	50	50
Dry lightning impulse withstand voltage 1.2/50 +/- one unit	kV	125/125	125/125	125/125	125/125
Radio interference voltage at 0.5 MHz	dB	60	60	60	60
	kV	20	20	20	20
	dB	86	86	86	86
	kV	30	30	30	30
Weight	kg	5.66	5.66	5.6	5.6

HV glass suspension insulator U125BP

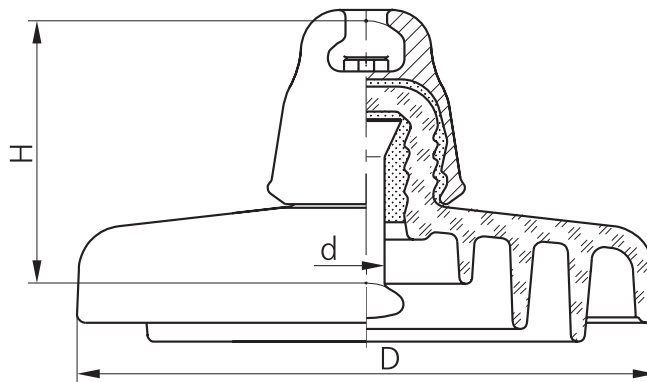
Ball and socket type
Fog type profile



The manufacturer	JSC "YuAIZ"	
Designation	IEC 305	U125BP
Mechanical failing load	kN	125
Mechanical residual strength	kN	100
Diameter of the insulating part, D	mm	280
Spacing, H	mm	146
Nominal creepage distance	mm	445
Ball and socket coupling, d	mm	20
Puncture voltage in insulating medium	kV	130
50 Hz withstand voltage (dry)	kV	82
50 Hz withstand voltage (wet)	kV	50
Dry lightning impulse withstand voltage 1.2/50 +/- one unit	kV	125/125
Radio interference voltage at 0.5 MHz	dB	86
	kV	30
Weight	kg	5.86

HV glass suspension insulators U160BSP, U160BLP

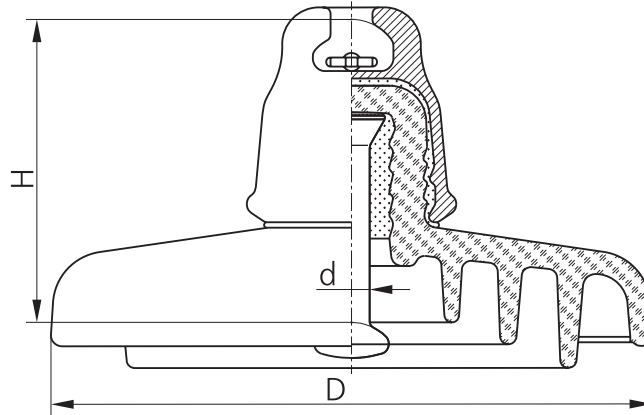
Ball and socket type
Fog type profile



The manufacturer	JSC "YuAIZ"		
	IEC 305	U160BSP	U160BLP
Designation	GOST 27661	PSV160A	PSV160A
Mechanical failing load	kN	160	160
Mechanical residual strength	kN	128	128
Diameter of the insulating part, D	mm	320	320
Spacing, H	mm	146	170
Nominal creepage distance	mm	545	545
Ball and socket coupling, d	mm	20	20
Puncture voltage in insulating medium	kV	130	130
50 Hz withstand voltage (dry)	kV	90	90
50 Hz withstand voltage (wet)	kV	55	55
Dry lightning impulse withstand voltage 1.2/50 +/- one unit	kV	140/140	140/140
Radio interference voltage at 0.5 MHz	dB	60	60
	kV	20	20
	dB	86	86
	kV	35	35
Weight	kg	8.28	8.28

HV glass suspension insulator U210BP

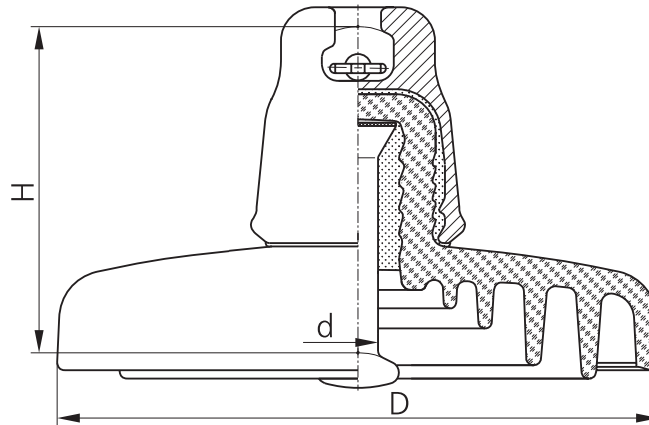
Ball and socket type
Fog type profile



The manufacturer	JSC "YuAIZ"		
	IEC 305	U210BP	
Designation	GOST 27661	PSV210A	PSV210A
Mechanical failing load	kN	210	210
Mechanical residual strength	kN	168	168
Diameter of the insulating part, D	mm	330	330
Spacing, H	mm	170	195
Nominal creepage distance	mm	555	555
Ball and socket coupling, d	mm	20	20
Puncture voltage in insulating medium	kV	130	130
50 Hz withstand voltage (dry)	kV	90	90
50 Hz withstand voltage (wet)	kV	55	55
Dry lightning impulse withstand voltage 1.2/50 +/- one unit	kV	140/140	140/140
Radio interference voltage at 0.5 MHz	dB	86	86
	kV	40	40
Weight	kg	9.4	9.4

HV glass suspension insulator U300BP

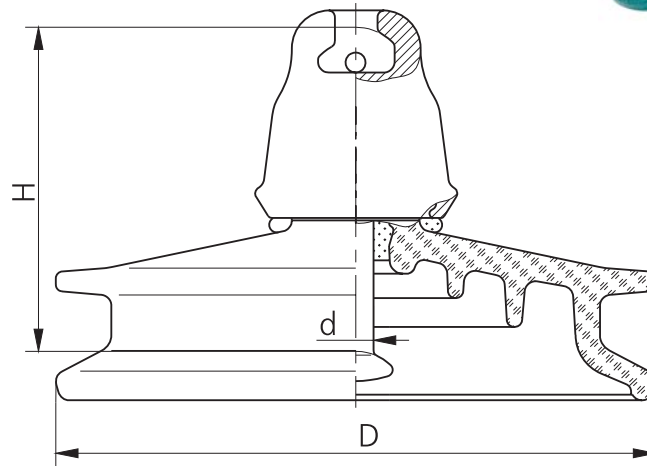
Ball and socket type
Fog type profile



The manufacturer	JSC "YuAIZ"		
	IEC 305	U300BP	
Designation	GOST 27661	PSV300A	PSV300A
Mechanical failing load	kN	300	300
Mechanical residual strength	kN	240	240
Diameter of the insulating part, D	mm	360	360
Spacing, H	mm	195	198
Nominal creepage distance	mm	617	617
Ball and socket coupling, d	mm	24	24
Puncture voltage in insulating medium	kV	130	130
50 Hz withstand voltage (dry)	kV	100	100
50 Hz withstand voltage (wet)	kV	60	60
Dry lightning impulse withstand voltage 1.2/50 +/- one unit	kV	155/155	155/155
Radio interference voltage at 0.5 MHz	dB	86	86
	kV	60	60
Weight	kg	13.3	13.3

HV glass suspension insulator PSD70E

Ball and socket type
Fog type special profile



The manufacturer	JSC "YuAIZ"			LIC Ltd.	
	IEC 305				
Designation	GOST 27661	PSD70E	PSD70E	PSD70E	PSD70E
Mechanical failing load	kN	70	70	70	70
Mechanical residual strength	kN	56	56	56	56
Diameter of the insulating part, D	mm	270	270	270	270
Spacing, H	mm	127	146	127	127
Nominal creepage distance	mm	411	411	411	411
Ball and socket coupling, d	mm	16	16	16	16
Puncture voltage in insulating medium	kV	130	130	130	130
50 Hz withstand voltage (dry)	kV	75	75	75	75
50 Hz withstand voltage (wet)	kV	45	45	45	45
Dry lightning impulse withstand voltage 1.2/50 +/- one unit	kV	110/110	110/110	110/110	110/110
Radio interference voltage at 0.5 MHz	dB	60	60	60	60
	kV	20	20	20	20
	dB	86	86	86	86
	kV	25	25	25	25
Weight	kg	4.6	4.6	4.45	4.45